

Solid Pommel Measurement Chart

CAPS II & MiniCAPS Seating Systems



Please use Adobe 'Fill & Sign' to complete this form - Please check boxes with an X

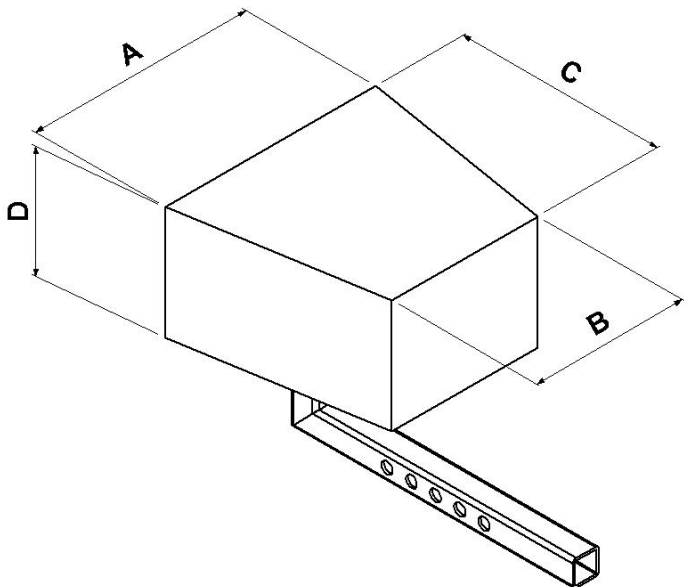
GENERAL INFORMATION

Contact Name:	Date:
Contact Email:	Contact Tel:
Contact Address:	
Client:	Date of Birth:
Address or School:	

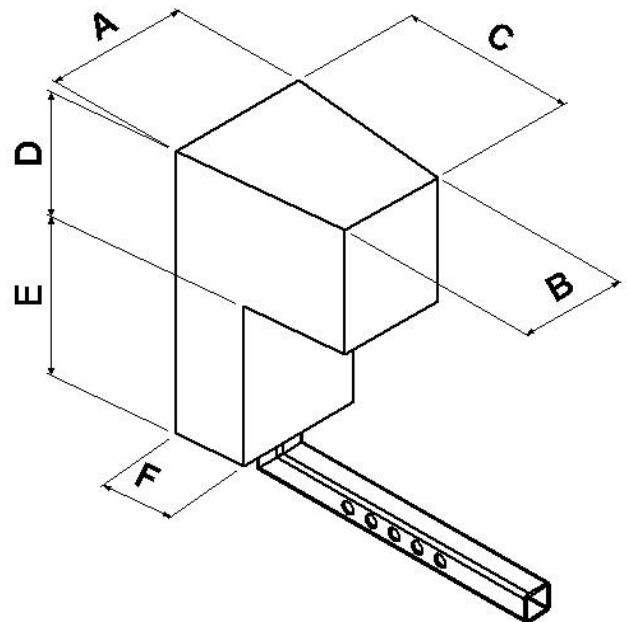
MEASUREMENT DETAILS

Please complete the required dimensions on the type of pommel required below:						P-Type Only	
	Sizes (in cm)	'A'	'B'	'C'	'D'	'E'	'F'
<input type="checkbox"/>	XS	7	5	8	6	3	6
<input type="checkbox"/>	S	8	6	9	6	3	6
<input type="checkbox"/>	M	9	7	11	7	4	7
<input type="checkbox"/>	L	11	8	13	8	5	8
<input type="checkbox"/>	XL	13	9	15	9	5	9
<input type="checkbox"/>	Custom Size						

Standard Fixed Pommel



P-Type Solid Pommel
(use with Dynamic Footrests)



Special Requests:

Please complete one form for each client, and return a copy with your order. This will enable us to set the seating system to your dimensions and check any special requirements before delivery.

Active Design Ltd, 68K Wyrley Road, Birmingham. B6 7BN. Tel: 0121 326 7506 Fax: 0121 327 8807
Email: sales@activedesign.co.uk Internet: www.activedesign.co.uk